

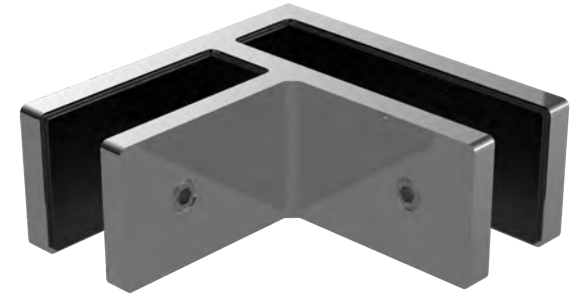
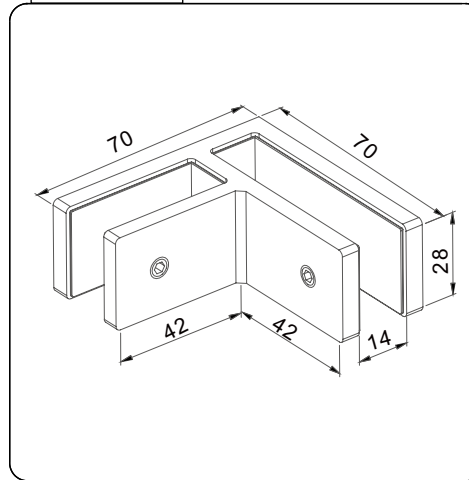
Drawing ID

C-90FX

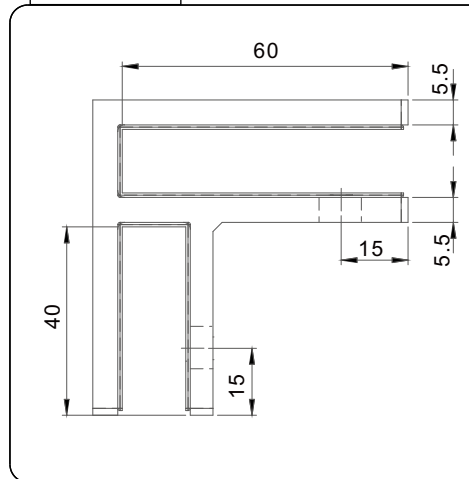
Product Info.

Finish	Code
Polish	C-90FM
Satin	C-90FS
Texture Black	C-90FB
White	C-90FW
Brush Brass	C-90FBB

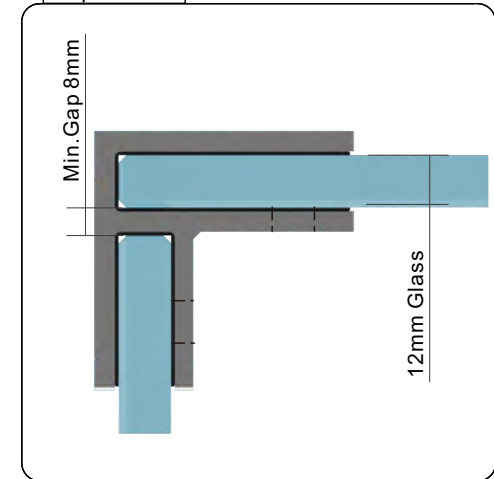
Dimensions



Dimensions



Top View



MATERIAL:

Duplex 2250 Stainless Steel

CATALOGUE AND DESCRIPTION:

- > Glass Fixing System
- > Glass Clamp
- > Friction Fit Glass to Glass 90° Clamp

NOTES:

This drawing and or specification is the property of Silver Stone Hardware Pty Ltd - and must be returned to them on request. Unauthorised use may result in Legal Action. Its contents must not be made public, nor copied, nor used directly or indirectly in any way.

SILVER STONE HARDWARE PTYLID

56-62 Bryant Street, Padstow, NSW 2211
 T: (02) 9792 2955 M: 0452 526 680
www.silverstonehardware.com.au
sales@silverstonehardware.com.au